

Brussels

D.H Van den Berghe, August 2001

Introduction

Brussels is the capital of Belgium and in the last decennia also became home to many of the European Institutions. 25% of the city's population is Dutch speaking (Flemish), about 50% is French speaking (Wallon) and another 25% are immigrants from all over Europe and North Africa. As such the city is very divided and does not have a clear-cut face.

Brussels is sometimes called the crossroads of Europe. Within a range of 300 kilometres we have major cities like London, Paris, Amsterdam, Köln, Luxembourg, ... Major highways connect Brussels to all these places.

A little history

Where most important cities have usually grown at a confluence of two or more rivers, this is not the case with Brussels. The Senne river, which used to flow through the city, was too small to have any economic significance, and it actually became the main sewer of the city when it was covered over by a large boulevard in 19th century. That's why you won't find the Senne river anymore in present day Brussels.

The name Brussels literally means "settlement in the marshes". The land was very marshy and the trouble was how to cross this Senne river. There was a small island in the river, and an important east-west trade route connecting Bruges with Köln in Germany used this island as a crossing point. Slowly a market place developed there: Brussels.

So, from the very beginning roads have been more important for Brussels than rivers.

From the 12th century onwards Brussels grew into a major town and became very famous for its luxury fabrics, which were exported all over Europe. This brought a lot of wealth to the city.

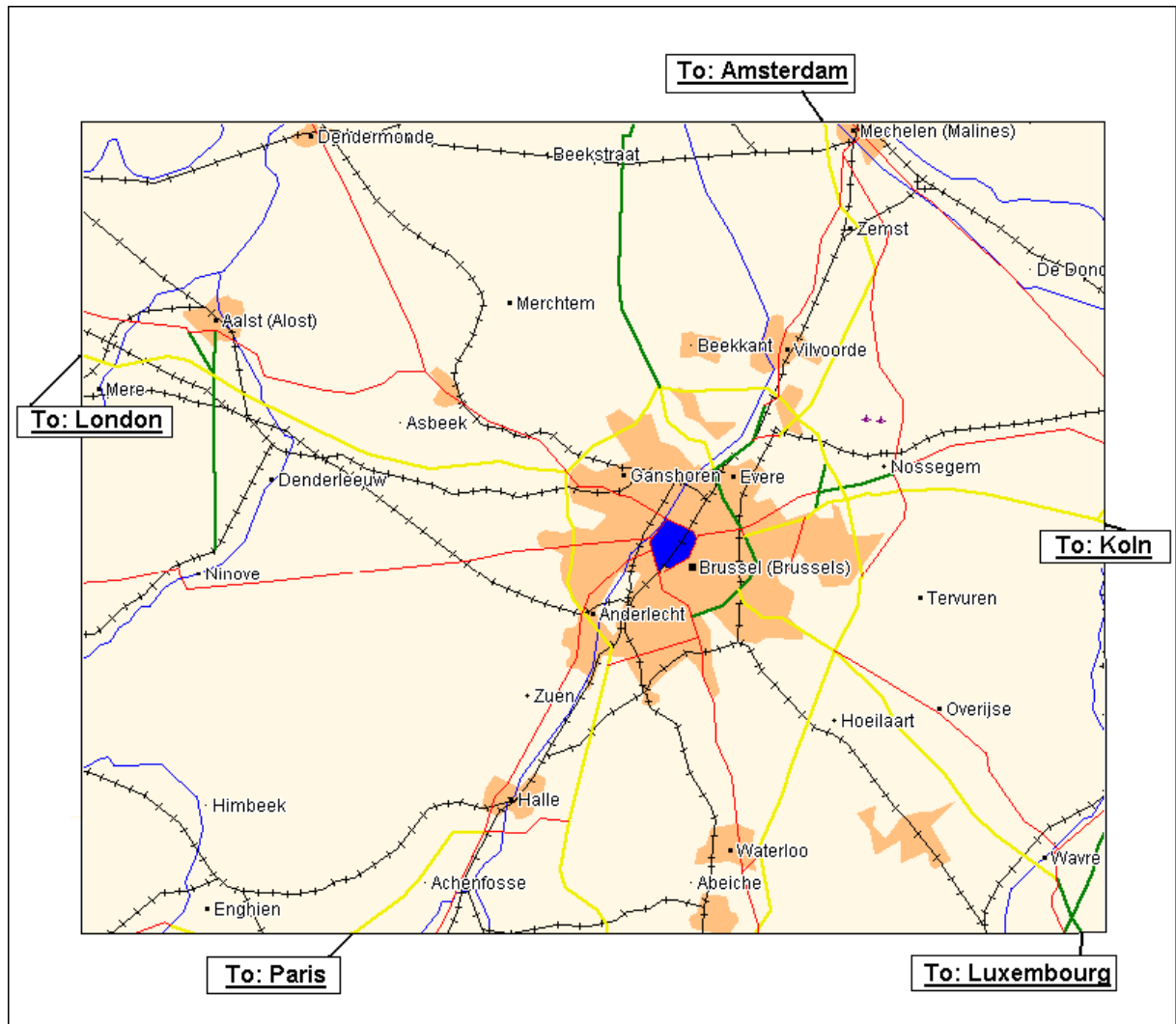
In 1831 Brussels became the capital of the newly independent Belgium and in more recent decades it gained international importance as the headquarters of NATO and of the European Union.

Feng Shui of the city

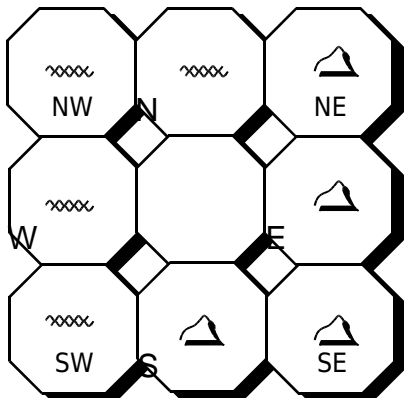
Belgium is a bilingual country; the northern part is Dutch speaking and is very flat like Holland. The southern part is French speaking and consists mainly of hills up to 500m above sea level.

Brussels lies on the border between the French and Dutch speaking parts, on a plateau with low hills. Before 1830 the East side of the city was located on one of these hills and the entire city was on the West bank of the Senne river.

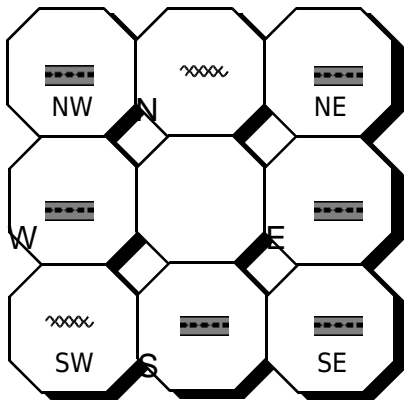
Here is a current city map (old city before 1830 is shown in blue colour). The major highways (6 lanes) and ringroad is shown in yellow colour, railroads in black.



So, before 1830, we had this situation as far as mountains and rivers are concerned:
 East and southeast we have the hills and from west to north runs the Senne river.



After the expansion of the city it has become more or less flat, with nothing that can serve as a mountain to back the city. Many hills have been cut and used to fill the dirty ponds and mires. Moreover, a huge ringroad has been built and major highways and railways reach the city from all directions, which means there is now virtual and/or real water in all eight directions:



As a result of this the feng shui of the city is more or less neutralised and because of the water (virtual and real) in all 8 directions the city can prosper financially in every period. But it is not a healthy and pleasant place to live because the mountains have been destroyed.

Indeed, since 1970, when all these roads were built, the population is slowly declining, and especially the inner city is dying out fast with the population there going down by more than 50% last century.

Most of the remaining population is poor immigrants, and those who can afford have moved out of Brussels to live in the satellite cities like Leuven, Aalst, and Mechelen. If people prefer to be in the traffic jam for a few hours every day, rather than live near the job, that says everything about the quality of life in Brussels...

In the recent decades Belgium has regularly made world news with all kinds of scandals. Political scandals (Agusta, etc.), sex scandals (Dutroux, ..), food poisoning (Dioxin crisis), etc..

Belgium has one of the highest suicide rates in the world, a huge percentage of the population needs Prozac to function and pills to sleep, alcohol abuse is widespread and sexual abuse of children makes the news very regularly..

All this can be attributed to the destruction of (already sparse) mountains and creation of more and more virtual water (roads). Belgium has created more virtual water than any other country in the world and the results are there..

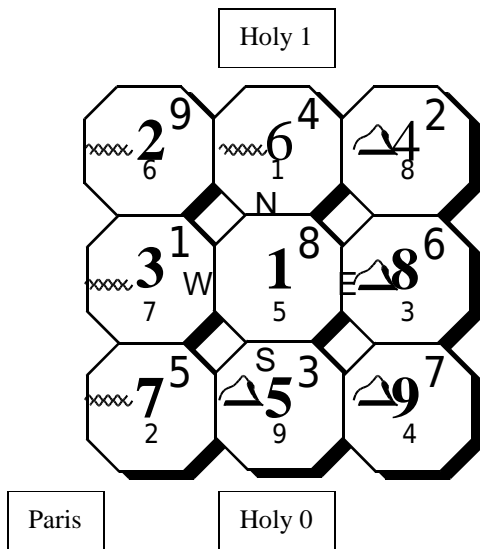
All these paved roads also symbolise the tax money that is being drawn towards the capital. It is an interesting coincidence that rising taxes and more paved roads always seem to come together. That was already so 2000 years ago when the Roman Empire made roads to all provinces and subsequently imposed taxes.

A few dramatic events in the history of Brussels

1695: destroyed by fire

During the second half of the 17th century, the armies of Louis XIV of France repeatedly attacked Brussels. In 1695 the bombardments were so heavy that large parts of the city were completely burnt down, also the important commercial craft headquarters went up in flames. It was the biggest disaster in Brussels' history.

1695 falls during period 1, it is an 8-year. Here is the star chart (left=Earth, right= Heaven, blue= Year):

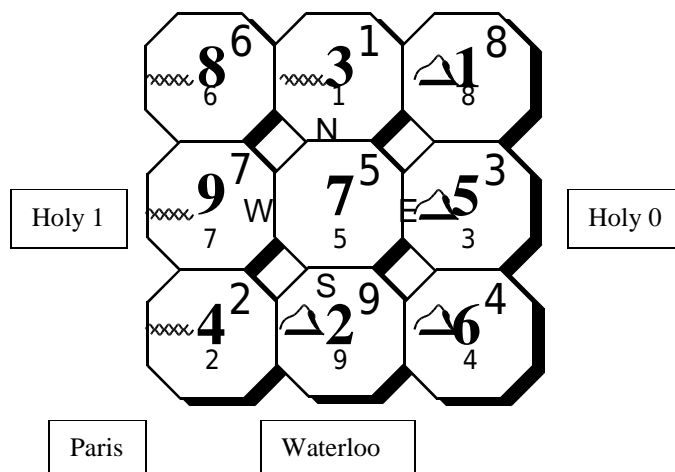


As we see the 1 Earth star falls in the water in the North. This means it is a bad time for the people. The holy 0 direction is in the South, mountains, so it is bad in the economy too. In the Southwest we see the 2-7 combination which is known to bring fire hazard if the mountain and water are not good. In 1695, the yearly 5 star visits this combination in the Southwest. The 5 star is known to activate disasters. So, the city being weak, it cannot defend against the attack from France, which is to the Southwest of Brussels. The city is burnt as indicated by the 2-7 in the direction from Paris...

1815: battle of Waterloo

In 1792 Brussels was captured by a French army and brought under French control. For 2 decades the French dominated the European continent until Napoleon was finally defeated in the famous battle of Waterloo, which is a place just 15 kms South of Brussels. This battle ranks as a great turning point in modern history. It was in 1815 that Napoleon was defeated here by an international army that had gathered in Brussels.

1815 is period 7, a 5 year. Here is the star chart:



Now we see that holy 1 is in the West, where it falls in the water, so again the people are weak. The holy 0 is in the East where we find the mountains; this shows the economy is bad too. So, according to Feng Shui the city should have been defeated again..

In the South, where the battle was fought near Waterloo, we see the 2-9 combination, which is also known to bring great disaster. The 2 star symbolises people, and the 9 star is fire (canons) and also blood. Over 50000 soldiers died on June 18, the day the battle was decided..

Why Brussels was not destroyed again?

Well, it would have been destroyed if not all these international armies from Austria, Russia, Prussia (Germany) and Britain had come to help.

In this case it is not only the destiny of the city that decides the outcome.

We have a very good example here of how the destiny of the bigger whole, the European continent in this case, can and does overrule the destiny of a smaller part.

When we study the feng shui of a city, we have to remember that we are studying only one factor among many others.

Every city is also part of a region, country, and continent; and of the entire globe. So what is happening on these levels will inevitably also affect our city, no matter how good or bad its feng shui.

This means that we should always see the feng shui of our city against the background of the larger whole it is part of.

Predictions for the coming Period 8

As we saw before, the Feng shui of Brussels has been mostly neutralised, because virtual water has been created in all 8 directions and this virtual water is now the most dominant feature of Brussels.

But this does not mean we cannot say anything for the future.

In my understanding, no matter how many changes are made to the place, the energetic vibration remains.

Brussels emerged in a marsh, and even derived its name from this fact, so it still has the energy of the marsh, which is closely related to the #7 star. That's why the city tends to blossom during period 7: we saw Napoleon's defeat during period 7 and the subsequent independence of Belgium with Brussels as capital. And during the current period 7 Brussels rose to international importance as the home of many European institutions. Understanding the marsh, star 7, we can understand Brussels and the role it plays in the world today.

The marshy plateau where Brussels was built, consisted of marsh and mire, dirty ponds, stagnant water that was not healthy to drink, the smell of rotten plants,...

In a marsh it is difficult to move, one gets easily stuck in the mud, it is a place you would rather avoid.

It is very strange a city has grown there.

With the capital located in such a place, it is only natural that the government seated there will also bear these qualities. Belgium has so many laws and regulations, it is like moving in a mire. The bureaucracy is tremendously slow. The courts have a waiting list of years..

And now, with the European institutions located in Brussels, these qualities are exported to the rest of Europe..

During period 7, when this tendency to create a morass of laws is in fashion everywhere, it is more or less accepted. But in the coming period 8 it will change completely.

Period 8 will bring a return to sound principles; the smelling compromises of period 7 are no longer acceptable. Period 8 will also bring renewed respect for individual rights and privacy.

The 8 star is related to the mountain, and these sound principles and individual rights have been more respected and preserved in mountainous countries like Switzerland.

For more than a century Switzerland has maintained one of the highest standards of living in the world, a very low unemployment, a strong currency, a clean environment,...

They must be doing something right there..

But strangely enough, now Switzerland is put under pressure to join the EU? A small efficient country is asked to join a big bureaucracy in Brussels.

It is symbolic for period 7: even the mountain is asked to come down and dissolve in the big lake

In period 8 this trend will reverse. There will be increasing pressure to break away from the big blocks that have been formed during period 7. Separation will be the trend because mountains (8) like to stand alone, even if they are joined in a mountain range they don't give up their own identity.

The idea of one big central capital making decisions for the entire continent will be discarded; it is simply not an efficient model. In that case Brussels will start declining as power is shifted away from the capital and the EU institutions become leaner or even disappear altogether.

Remember that the same thing happened 180 years ago. The dream of uniting Europe disappeared with Napoleon's defeat at the end of period 7, and many small countries declared independence in the subsequent period 8.

In period 8 many countries will change or rewrite their constitutions. Mountains are closest to the sky and man will try once again to formulate and implement sound heavenly principles. Hopefully also fengshui principles will be listened to, so that every place can function according to its destiny.

The current shift into the information age will again change the rules for feng shui of cities. Cities will no longer depend on the presence of water (real or virtual) to be able to prosper in the economy. Telephone wires, fibre optic cables and wireless communications will give any place on earth equal access to the economic life. In that scenario the presence of good healthy mountains becomes the main factor in choosing a place, and big cities become the least desirable place to live. Once cities lose their main economic function, what will they be needed for? Long term real estate investors should take that into consideration.

Perhaps period 8 will really be the period of the mountains.